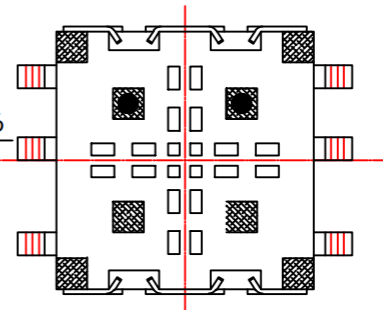
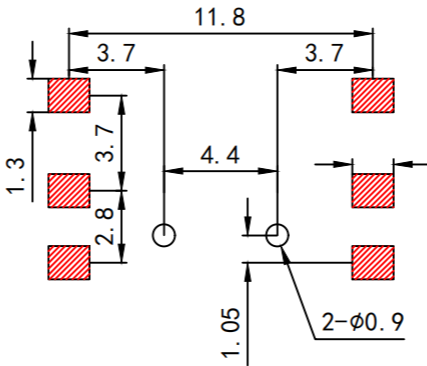
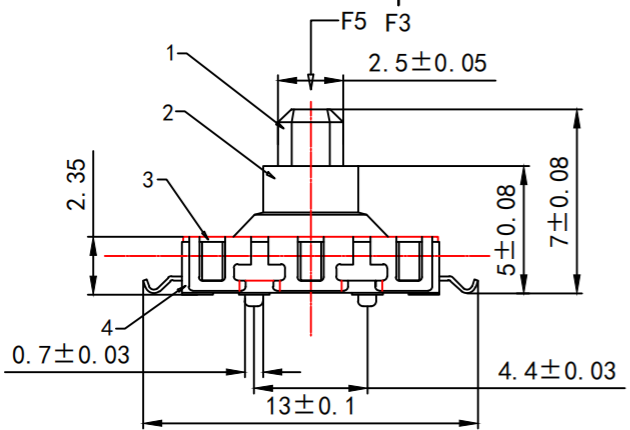
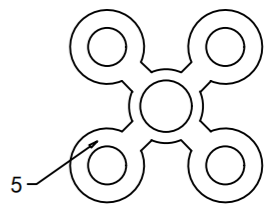
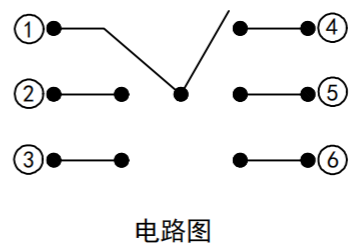
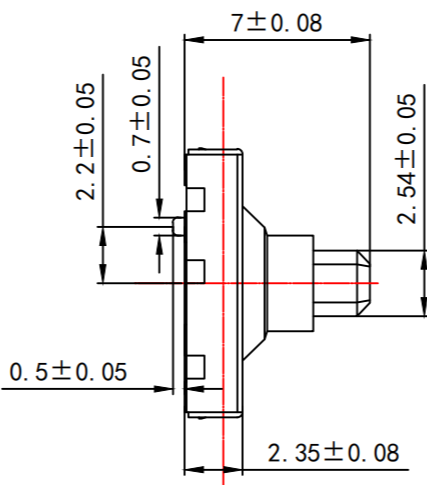
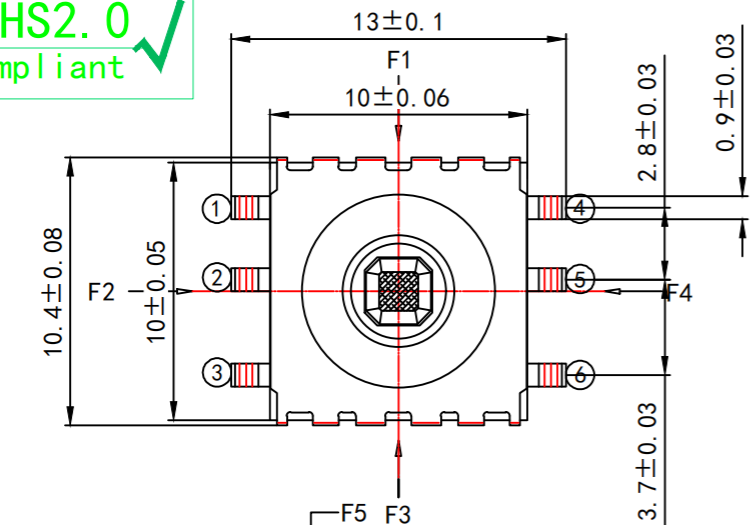


RoHS2.0
Compliant



	1	2	3	4	5	6
F1	○			○		
F2	○	○				
F3	○					○
F4	○			○		
F5	○	○				

Technical requirement

- Rated range: 0.1A DC12V
- Insulation resistance: 100MΩ min (DC100V)
- Compressive strength: AC100V 50Hz/60Hz foy 1 min
- Mechanical life: 10000 cycles
- Operation force: 250±50gf 4-250±50gf
- Temperature range: -10° C+60° C

TOLERANCE X. XXX ±0.05 X. XX ±0.15 X. X ±0.20 X. ±0.30 ANGLE ±5.0°		东莞市恒祺电子科技有限公司 Dongguan Hengqi Electronic Technology Co., Ltd		
		https://www.hq-dz.com phone:15812872448		
PROTECTON 	TITLE: 多功能五向开关		PART NO: 成品图	
	DRAWN:		DRAWING NO: HQ-A07-03B	
	CHECKED:	DATE: 18-10-08	UNIT: mm	SCALE: FULL
APPROVED:	DATE: 18-10-08	DATE: 18-10-08	SIZE: A4	